



**RADIALL**

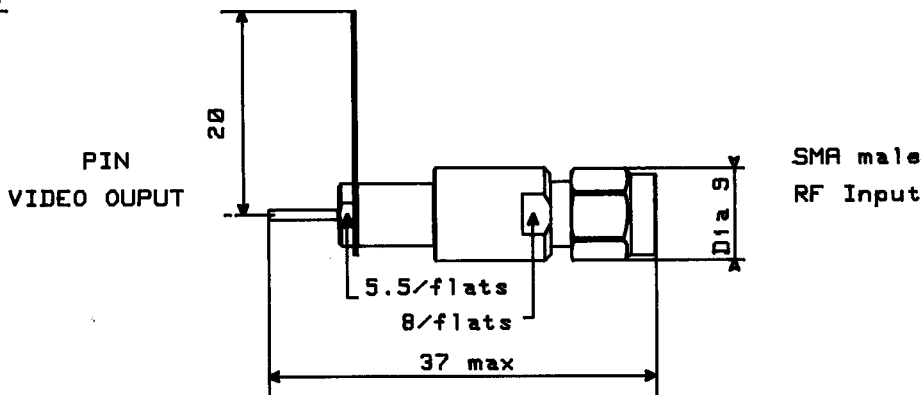
**R451 033 000**

**TECHNICAL  
DATA SHEET**

TITLE **HIGH SENSITIVITY COAXIAL DETECTOR**

LTR. **A**

DRAWING:



General tolerances:  $\pm 0.5$  mm

ELECTRICAL CHARACTERISTICS:

IMPEDANCE : 50  $\Omega$   
 FREQUENCY RANGE : 1 - 18 GHz  
 V.S.W.R. : N / A  
 SENSITIVITY LOW LEVEL  $P_{\epsilon} = < -20$  dBm : 1500 mV / mW  
 TANGENTIAL SENSITIVITY : - 50 dBm mini  
 FREQUENCY RESPONSE :  $\pm 2$  dB  
 VIDEO CAPACITY ( Typical ) : 20 pF  
 MAXIMUM POWER ( CW ) : 200 mW max.  
 POLARITY : Negative  
 DIODE : ``ZERO BIAS`` SCHOTTKY

MECHANICAL CHARACTERISTICS:

CONNECTOR RF INPUT : SMA male per MIL C 39012  
 VIDEO OUTPUT : Pin and Solder lug  
 WEIGHT : 10 grams

ENVIRONMENTAL CHARACTERISTICS:

OPERATING TEMPERATURE RANGE : - 25°C + 70°C  
 STORAGE TEMPERATURE RANGE : - 40°C + 85°C

PEN  
CAT

QUALITY Dpt App.  
  
 13 AVR 1992

PAGE  
1 / 1

DATE  
01/04/92

NAME  
K. LUCIEN

LTR

REVISIONS

DATE

APP.